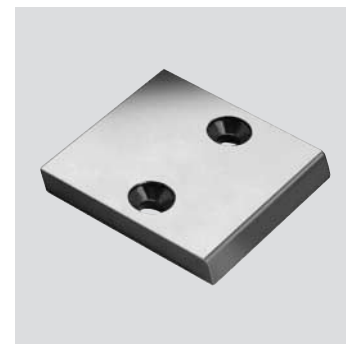
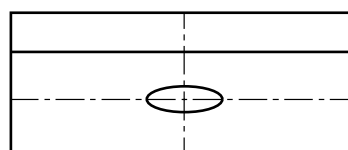
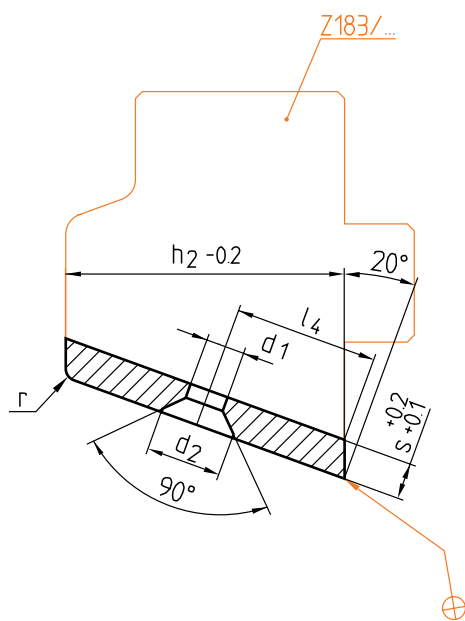


Z1831/...

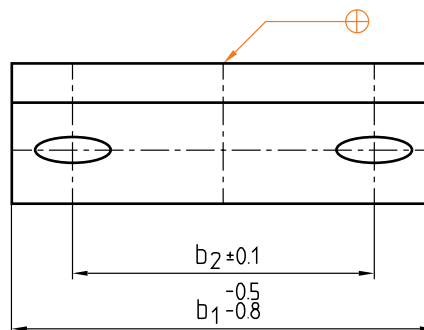
Mat.: 1.2767/53 + 2 HRC



► Info



Typ A



Typ B

Typ	r	d ₂	d ₁	l ₄	b ₂	h ₂	s	b ₁	Nr./No.	
A	1,5	8,3	4,3	12	—	23	4	22	Z 1831/23x4x22	
B					16			31	30	30
	36	50	50							
	16	16	36	30	Z 1831/31x4x30					
		24		38	38					
		39		53	53					
	19	16	36	5	30	Z 1831/36x5x30				
		24			38	38				
		39			53	53				
	2	12,4	6,4	24	18	46	4	38	Z 1831/46x5x38	
					30			50	50	
					51			71	71	
					28	18	54	6	38	Z 1831/54x6x38
						30			50	50
						51			71	71
	35	30	66	5	50	Z 1831/66x6x50				
		43			63	63				
		65			85	85				
	42	30	79	6	50	Z 1831/79x6x50				
43		63			63					
65		85			85					

This is trial version
www.adultpdf.com